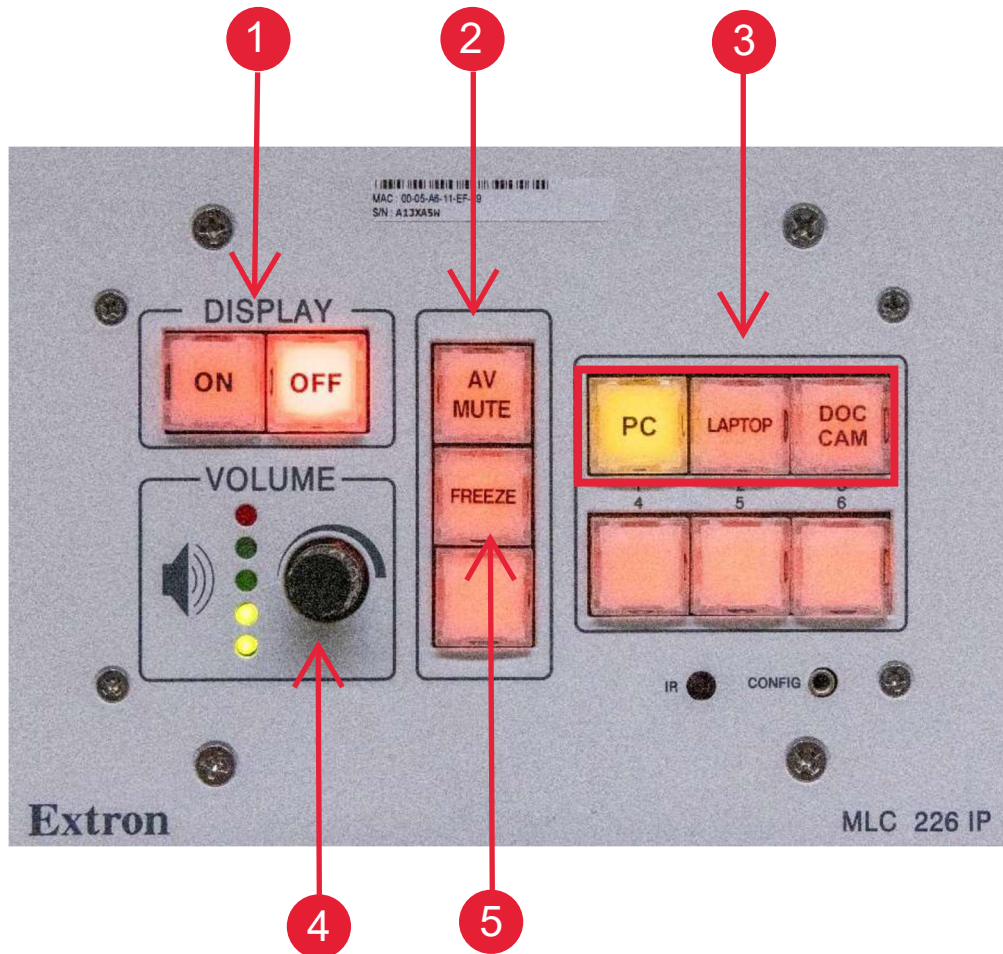


How To Use The MLC 226



1. Turn the Projector On or Off.
2. Mute the projector image.
3. Select the source you want to project.
4. Twist to increase or decrease the volume.
5. Freeze the image on the projector.